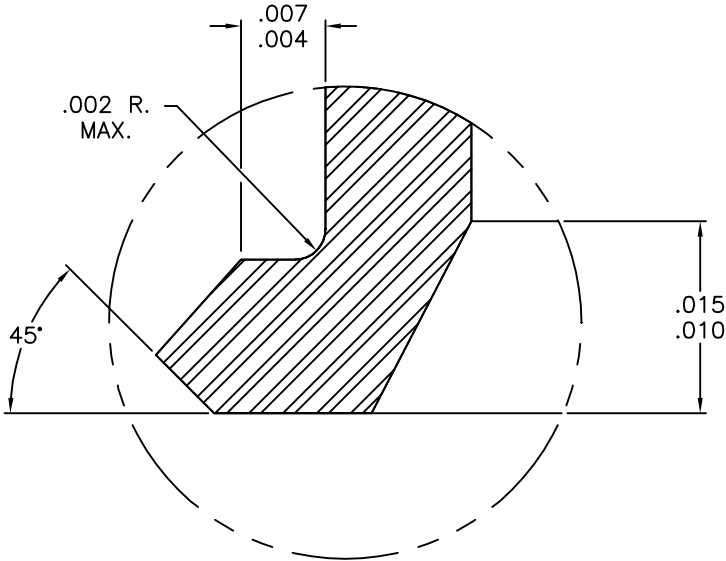


REV	DESCRIPTION OF REVISION	E.C.N.	BY	APPROVED	DATE
A	ADDED UPSET DIM. & ADJUSTED EYELET O.A.H. WAS .078/.073		E.T.W.	D.B.	07-18-07



DETAIL "A"
SCALE 80:1

NOTES:

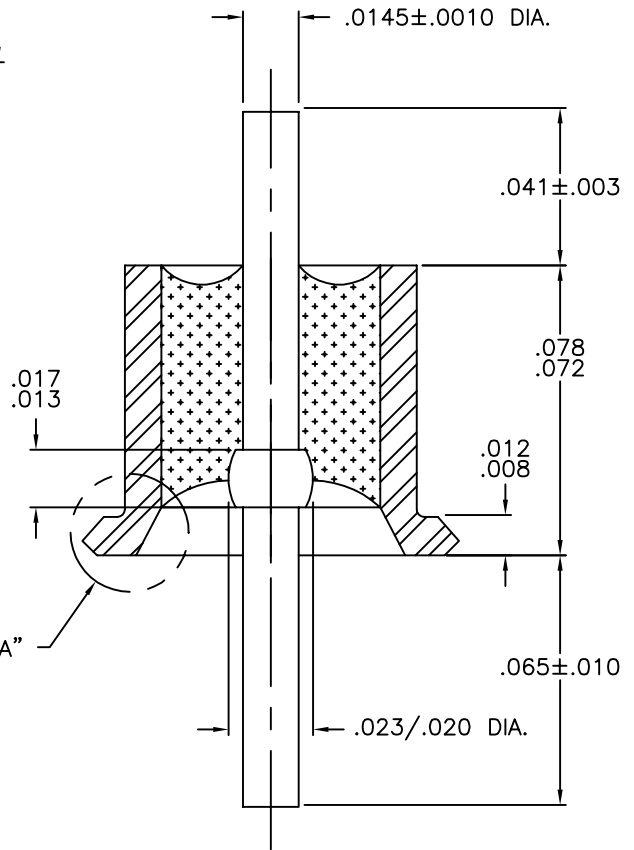
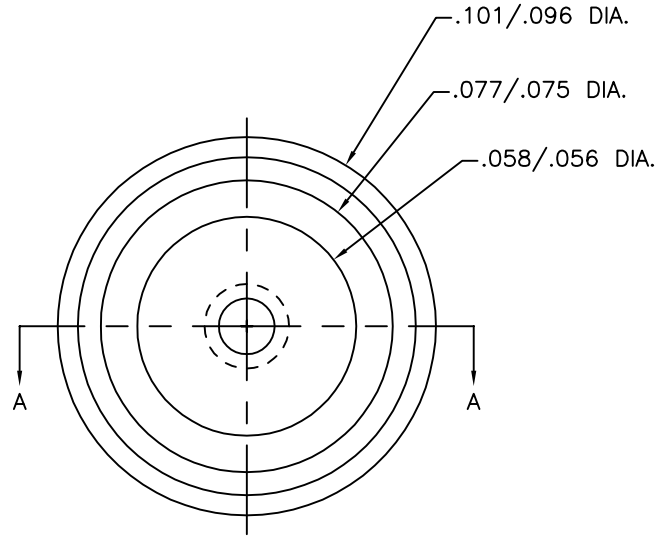
- GLASS TO BE FLUSH TO .007" BELOW THE FACE OF COLD HEAD PIN.
- PIN MUST BE CONCENTRIC WITHIN .005" T.I.R. TO .076" DIA.

MATERIAL:

- EYELET - HYMU "80" ALLOY.
- GLASS - S-8061 OR EQUAL.
- LEAD - 52 ALLOY, ASTM F-30.


PLATING:

- DESCALED.



SEE DETAIL "A"

SECTION A-A

DRAWN BY: E.T.W. 10-08-01	MATERIAL: SEE ABOVE	TOLERANCING PER ANSI Y14.5 .X ± .002 .XXX ± .002 .XX ± .002 ANG ± 5 UNLESS OTHERWISE SPECIFIED		 Legacy Technologies Inc. 6700 W. 47th TERR. MISSION, KS. 66203 TEL: 913-432-2487 FAX: 913-432-0570
CHECKED BY: E.T.W. 10-08-01	APP. SPECS	SUPERSEDES	NEXT ASSY	
APPROVED BY:	TITLE: FEED THRU	PART NUMBER: FT-098HM-B		A
		FILE: EA00083	PAGE	1 of 1